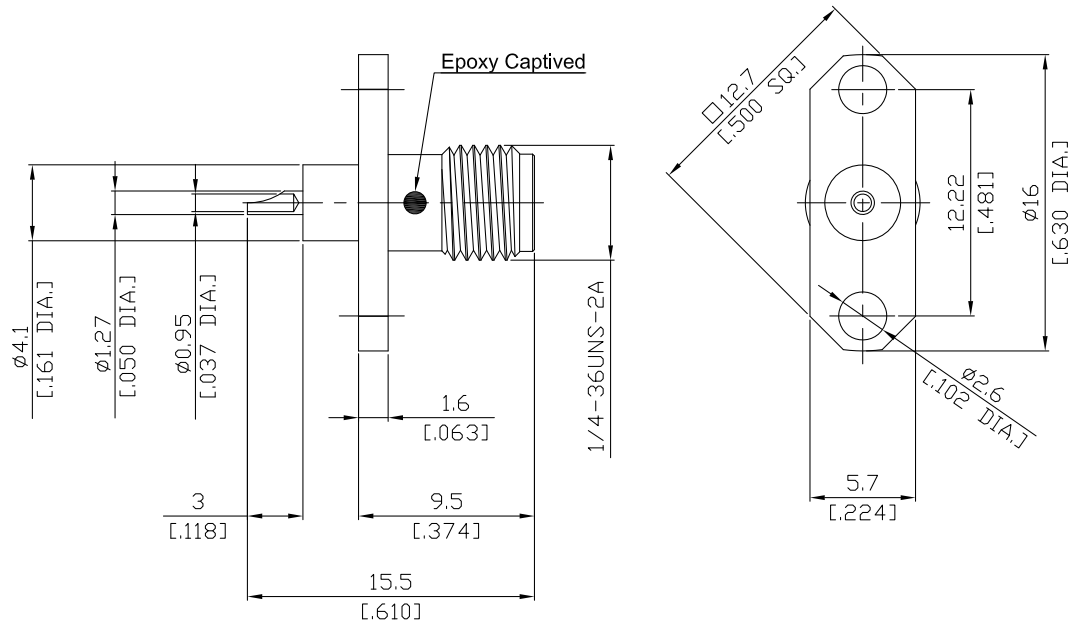


SMA Jack (Female) Connector Solder Attachment 2 Hole Flange Mount Solder Cup Terminal,
12.22mm (.481 inch) Hole Spacing Epoxy Captivated DC-18GHz VSWR1.30

SMA2GTB50-1550A-EC / 91



All dimensions are in mm [inch]

Tolerances according to DIN ISO 2768-mH

Interface

According to IEC 61169-15; MIL-STD-348B/310

Electrical Data

Impedance	50 Ω
Frequency	DC to 18 GHz
VSWR (Return Loss)	≤ 1.30 (≥ 17.7 dB)
Insertion Loss	$\leq 0.05 \times \sqrt{F}$ (GHz) dB
Insulation Resistance	≥ 5 G Ω
Center Contact Resistance	≤ 3 m Ω
Outer Contact Resistance	≤ 2 m Ω
Test Voltage	1000 V rms
Working Voltage (at sea level)	480 V rms
Power Handling (at 20 °C, sea level, VSWR 1.0)	≤ 200 W @ 2 GHz

Material And Plating

Piece Parts	Material	Plating
Centre contact	Beryllium Copper	Gold plating, 3 μ inch (Non-magnetic nickel-phosphorus underplating, 80 μ inch)
Body	Brass	Gold plating, 3 μ inch (Non-magnetic nickel-phosphorus underplating, 80 μ inch)
Insulator	PTFE	

SMA Jack (Female) Connector Solder Attachment 2 Hole Flange Mount Solder Cup Terminal,
12.22mm (.481 inch) Hole Spacing Epoxy Captivated DC-18GHz VSWR1.30

SMA2GTB50-1550A-EC / 91

Mechanical Data

Coupling mechanisms	Screw-lock
Mating Cycles	≥ 500
Centre Contact	Soldered
Terminal Type	Solder Cup
Captivated Type	Epoxy
Center Contact Captivation: axial	≥ 27 N
radial	≥ 3 Ncm
Coupling Test Torque	max. 1.7 Nm
Recommended Torque	0.8 Nm to 1.1 Nm

Environmental Data

Temperature Range	-65°C to +165°C
Thermal shock	MIL-STD-202, Meth. 107, Cond. B
Corrosion	MIL-STD-202, Meth. 101, Cond. B
Vibration	MIL-STD-202, Meth. 204, Cond.D
Shock	MIL-STD-202, Meth. 213, Cond. I
Moisture Resistance	MIL-STD-202, Meth. 106
RoHS	compliant

Packing

Single or 100